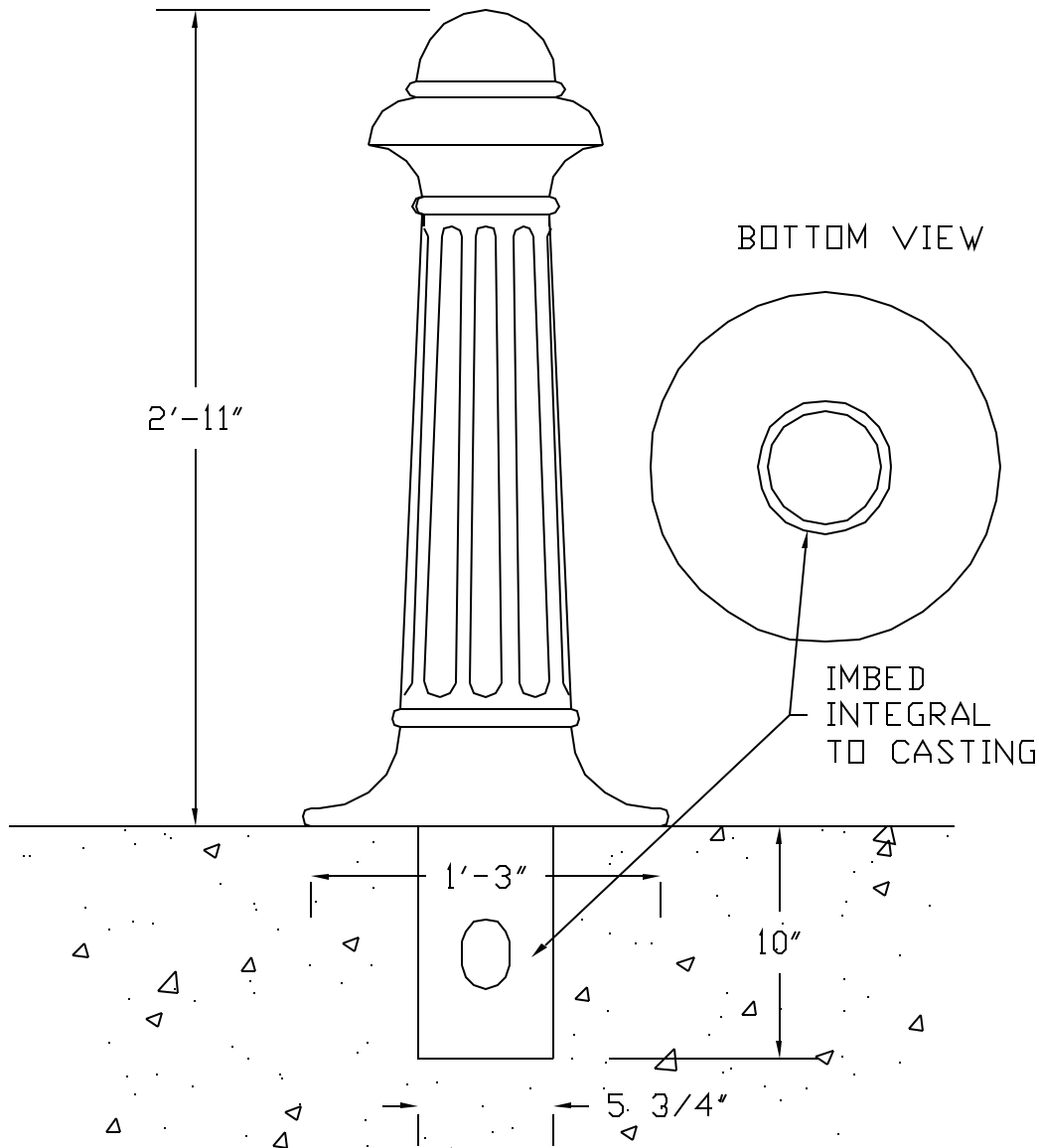


# SALEM



## M9023 BOLLARD

- Available in gray iron (App. 140 lbs.) or,
- Cast aluminum (App. 50 lbs)
- 7/16" NOMINAL WALL THICKNESS
- Permanent or removable installation
- With or without provision for chain
- Standard black polyurethane finish on cast iron
- Standard black powder coat on cast aluminum
- Wide range of optional colors available or custom color  
matched to your specification